

T1S Series Smart Lock



Key Feature

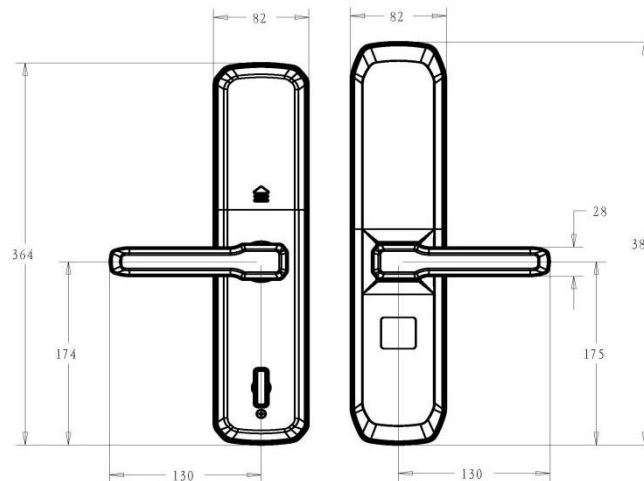
- Advanced C level lock cylinder to enhance security.
- Anti-peep password: xxx+password+xxx, preventing password from being stolen.
- Emergency power supply.
- 4-way opening: Fingerprints, cards, passwords and mechanical keys.
- Huge capacity: 300 fingerprints, cards and passwords.
- Keypad lock: The keypad locks automatically for 3 minutes after 5 consecutive wrong passwords.

Specifications

Model	T1S-1DR	T1S-1DB	T1S-1DG	
Material and Specification	Color	Red	Black	Gray
	Panel Material	Zinc alloy		
	Screen Type	OLED		
	Identification Method	Fingerprints, cards, passwords, mechanical keys		
Technical	Capacity	300 (Fingerprints, cards and passwords in total)		
	Identification Time	< 1s		
	Fingerprint Sensor	Semiconductor		
	Resolution	508DPI		
	False Acceptance Rate	<0.001%		
	False Rejection Rate	<1%		

Parameter	Keypad Type	Touch keypad
	Password Length	6~10 digits
	Card Type	IC Card
	Sensor Distance	0~10mm
	Working Voltage	4 pcs 1.5V AA batteries
	Battery Life	Over 10 months
	Low Voltage Warning	≤4.2V
	Emergency Power Supply	Micro-USB
	Relative Humidity	20%~80%
	Working Temperature	-20°C~60°C
	Panel Size	385*82*35mm
Function	Anti-peep Password	Support
	Indoor double Lock	Support
	Tampering Alarm	Support
	Low Battery Warning	Support
	Keypad Lock	Support
Installation	Door Type	Security door, wooden door
	Door Thickness	40mm~100mm

Dimensions



Zhejiang Uniview Technologies Co.,Ltd.

Building No.10, Wanlun Science Park, Jiangling Road 88, Binjiang District, Hangzhou, Zhejiang, China

Email: overseasbusiness@uniview.com; globalsupport@uniview.com

<http://www.uniview.com>

©2019 Zhejiang Uniview Technologies Co.,Ltd. All rights reserved.

*Product specifications and availability are subject to change without notice.